



# 46.U

## Sauna heater for domestic and commercial saunas. Behind-the-bench model.

Special design sauna heater for concealed, behind-the-bench installation. For the Finnish (dry) sauna. Extra slim construction with only 22 cm installation depth! Includes protective safety grill and water infusion kit (infusion along the full heater width). 6 m connection silicone cable included.

### Your advantages:

- Very slim - only 22 cm installation depth.
- Place-saving design with high safety in use.
- High safety thanks to the hidden installation.
- Robust, durable construction, all made of stainless steel.
- Includes safety grill (prevents objects from falling down on the heater)
- Includes water infusion kit (funnel with connection hose).
- Includes 6 m silicone coated connection cable.
- VDE approved for safety and norm compliance.
- Made in Germany quality from EOS.

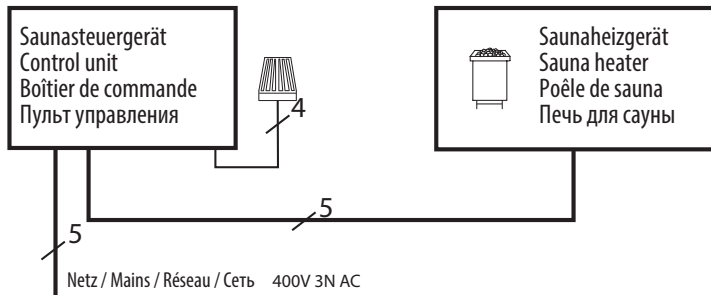
### Specifications:

|                |  |
|----------------|--|
| Outer shell:   | Stainless steel, blank polished                        |
| Inner shell:   | Stainless steel  |
| Top:           | Stainless steel  |
| Terminal box:  | Stainless steel, integrated in side wall               |
| Power range:   | 6.0, 7.5, 9.0 and 12.0 kW                              |
| Power supply:  | 400 V 3N AC 50 Hz                                      |
| Dimensions:    | 870 x 1120 x 200 mm                                    |
| Stone filling: | approx. 10 kg,<br>15 kg included in delivery           |
| Installation:  | Floor-standing, behind-the-bench (hidden) installation |

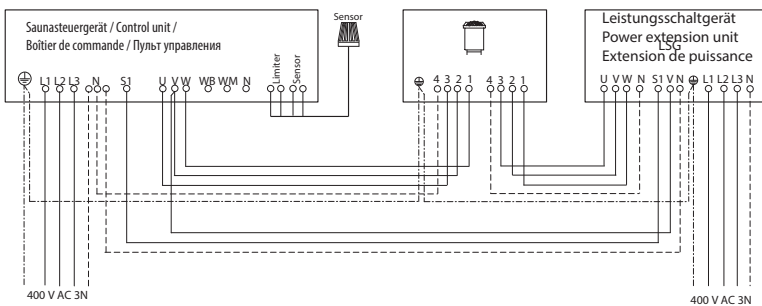


### Connection diagram

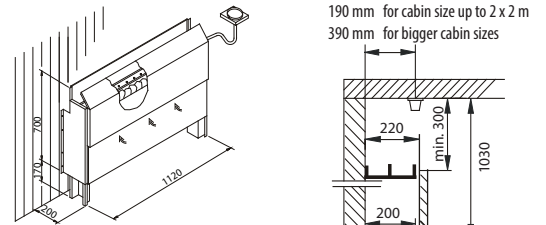
6 - 9 kW



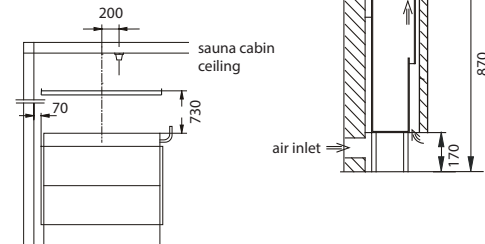
12,0 kW



### Minimum clearances



### Sensor installation



### Suitable control units

| Model             | Item no. |
|-------------------|----------|
| Econ D1           | 94.5202  |
| Econ D2           | 94.5204  |
| Econ D3           | 94.5549  |
| Emotec D          | 94.5559  |
| Emotec DC9000     | 94.4674  |
| Emotec DC9000 DLF | 94.4639  |

Power extension unit (e.g. Emotec L09R) is required for 12 kW model.

### Technical specifications

| Power output | Electrical connection   | Connection mains - control unit | Connection control unit - heater | Connection mains - LSG  | Connection LSG - heater | Connection control unit - LSG unit |
|--------------|-------------------------|---------------------------------|----------------------------------|-------------------------|-------------------------|------------------------------------|
| 6,0 kW       | 3N AC<br>50 Hz<br>400 V | 5 x 2,5 mm <sup>2</sup>         | 5 x 1,5 mm <sup>2</sup>          | --                      | --                      | --                                 |
| 7,5 kW       |                         |                                 |                                  | --                      | --                      | --                                 |
| 9,0 kW       |                         |                                 |                                  | --                      | --                      | --                                 |
| 12,0 kW      |                         |                                 |                                  | 5 x 2,5 mm <sup>2</sup> | 5 x 1,5 mm <sup>2</sup> | 4 x 1,5 mm <sup>2</sup>            |

All cross sections of a line are minimum diameters in mm<sup>2</sup> (copper wire).

### Spare heating elements and parts

| Description                   | Item no.  |
|-------------------------------|-----------|
| For 6,0 kW (4 x 1500W 230V)   | 2000.8533 |
| For 7,5 kW (5 x 1500 W 230V)  | 2000.8533 |
| For 9,0 kW (6 x 1500 W 230V)  | 2000.8533 |
| For 12,0 kW (8 x 1500 W 230V) | 2000.8533 |
| Wooden funnel                 | 2000.8118 |

| Item no. | Power output | Electrical connection   | Fuse protection control unit | Fuse protection LSG unit | Dimensions H/W/D, in cm | For sauna cabin size   | Min. size of air inlet and outlet | Weight without rocks | Stone filling | Power extension required |
|----------|--------------|-------------------------|------------------------------|--------------------------|-------------------------|------------------------|-----------------------------------|----------------------|---------------|--------------------------|
| 94.4887  | 6,0 kW       | 3N AC<br>50 Hz<br>400 V | 3 x 16 A                     | --                       | 87 / 112 / 20           | 6 - 8 m <sup>3</sup>   | 35 x 3 cm                         | 23,5 kg              | 10 kg         | no                       |
| 94.4888  | 7,5 kW       |                         |                              | --                       |                         | 7 - 10 m <sup>3</sup>  | 35 x 4 cm                         | 25,0 kg              |               |                          |
| 94.4889  | 9,0 kW       |                         |                              | --                       |                         | 9 - 14 m <sup>3</sup>  | 35 x 5 cm                         | 24,5 kg              |               |                          |
| 94.8608  | 12,0 kW      |                         |                              | 3 x 16 A                 |                         | 14 - 18 m <sup>3</sup> | 35 x 6 cm                         |                      |               |                          |